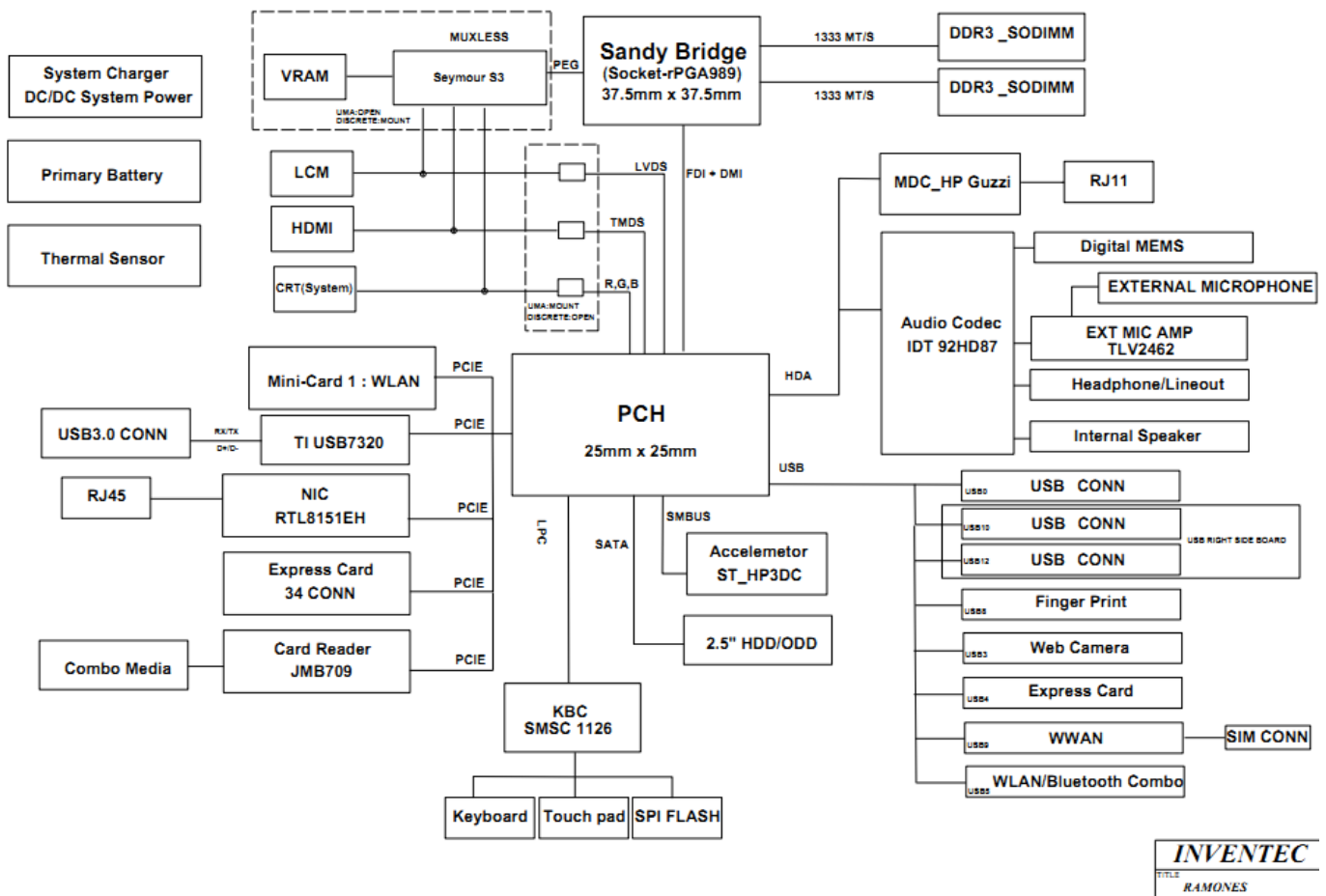


# DOWNLOAD

[Hp Probook 4530s Schematic Diagram Ramones](#)



[Hp Probook 4530s Schematic Diagram Ramones](#)

---



**DOWNLOAD**

---

Hello pls can anyone give me schematics for hpprobook ramones. -A02.pdf. 2012-: 20-: 14HP ProBook 4730s Notebook PC inventec Ramones 6050A2465501- .... Thank you guys but we need an english version of the site!!! Thích · Phản hồi · Đánh dấu là spam · 3 năm. Gilmar Bez. Obrigado. Thích · Phản .... By clicking the download button given below ,you will be redirected to the download link of Inventec Ramones schematic diagram. Please like .... The motherboard schematic for HP Probook 4530s laptop/notebook, INVENTEC RAMONES Mainboard, RAMONES-6050A2408801-MB.. Hp Probook 4530s Inventec Ramones Mtrx01 & Mb-A02 - Free download as PDF ... TABLE OF CONTENTS 1- Cover Page 2- TABLE OF CONTENTS 3- BLOCK .... Technical Specs Brand : HP Product Type : BIOS Product Format : ZIP BIN File Size : 4 MB + 64 KB Suitable series : PROBOOK Model/Series Number : 4530s .... Schematic diagram for Laptops HP ProBook 4530s / 4730s. Project: Inventec ' Ramones USB3.0 / 2.0 '. Schematic diagram for PCB marking is 6050A2465501.. Schematics Laptop HP Probook 4530s (Inventec Ramones) Ve sinh Laptop,Ve sinh MacBook TP.HCM.. Schematic for HP Probook 4530s laptop/notebook, INVENTEC RAMONES Mainboard CPU: Sandy Bridge Chipset: PCH OEM: INVENTEC. HP Probook 4530s, Inventec Ramones Free Download Laptop Motherboard Schematics. Format: PDF. P/N : Total Pages: 67. File size: 854KB.. The motherboard schematic for HP Probook 4530s laptop/notebook, INVENTEC RAMONES Mainboard CPU: Sandy Bridge Chipset: PCH OEM: INVENTEC. Now Available! you can download full-backage BIOS, EC, Schematics, Board-view and Fix Bugs for all laptop models | GEEK DAIS Support .... HP Probook 4530s Schematic Diagram. We are offering you this diagram free of cost. You can find also many other different schematics diagrams on our site.. need probook 4530s Ramones 6050A2465501 mb A02 schematic diagram please help me..... thanks... ni8na is offline .... Schematic Diagram is a drawing that shows all of the components of a circuit. This drawing shows the electrical connections between one device to another and its .... The motherboard schematic for HP Pavilion 14/15/17 Series laptop/notebook, The HP ... 12, 2014 HP ProBook 4530s (Inventec Ramones) Laptop Schematic.. HP ProBook 4530S - Inventec Ramones (6050A2408801) - EC.bin.zip. 17.2 KB Views: 166 ... HP HP Pavilion DV4 Schematic Diagram Needed · gsmworldfive .... Hp Probook 4530s Schematic Diagram Ramoneshttp://bit.ly/2O0cGqq.. Download HP PROBOOK 4530S INVENTEC RAMONES DB BUILD REV X01 SCH service manual & repair info for electronics experts.. HP Probook 4530S placa RAMONES 6050A2465501 MB-A02 - Nao liga. Bom dia pessoal! ... The motherboard schematic for Toshiba Dynabook. HP 4530s ... 4b1324357c

[walkman chanakya 902 hindi font 2](#)

[xentry developer keygen chomikuj 19](#)

[Bentley SewerCAD V8i - Incl Keygen.rar](#)

[schritte international 3 lehrerhandbuch free download](#)

[Crack For Vanavil Tamil Software Full](#)

[inazuma eleven strikers download pc](#)

[HD Online Player \(New! Video Downloadhelper Converter \)](#)

[grundig wifi usb dongle driver 23](#)

[ball jointed doll 3d model download](#)

[parkash mali bhajan download mp3 56](#)